

LEAD FREE FULL PORT BALL VALVE

Series: **EFFC-LF** (Rev 09.01.22)

Job Name	
Engineer	
Contractor	
PO Number	
Distributor	

Features

- 2 piece forged brass construction
- Dual PTFE Seats & EPDM O-Rings
- Blow-out proof Triple Seal Stem
- Rust resistant handle
- Stainless Steel Ball
- Stainless Steel stem (2-1/2" to 4")
- 5 Year Warranty
- Resists Stress Corrosion & De-Zincification

Performance Rating

- 1/4" to 2" rated 600PSI W.O.G.
- 2-1/2" to 4" rated 400PSI W.O.G.

Approvals

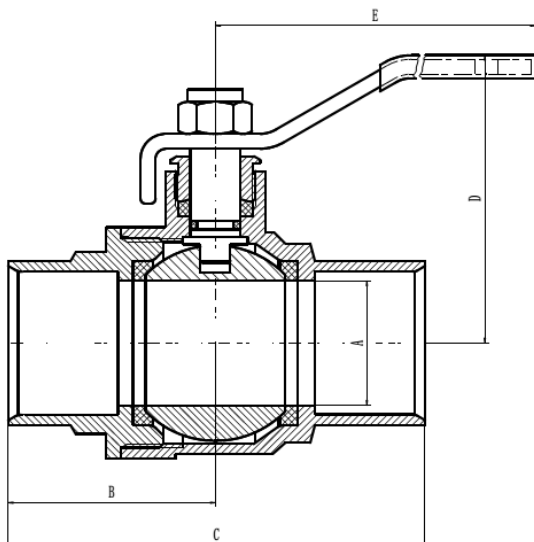
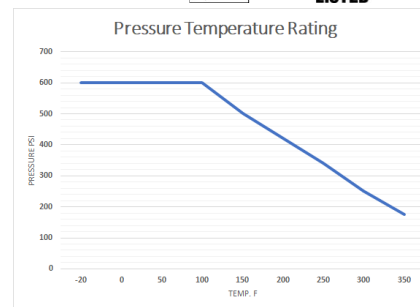
- ASME A112.4.14-17/ CSA B125.14-17
- NSF/ANSI 61-2017 & 372-2016 Certified
- CRN Registered
- CGA Requirement CR91-002
- Approved for 1/2, 2, 5 psig Gas Service
- Conforms to MSS SP-110

NOTE:

- **This valve is designed to be soft soldered using a low temperature solder to 420°F (216°C). Higher temperature solders may damage the seat materials.**

Standard Materials List

Part	Material
Body	Brass C46400
Sealing Washer	PTFE
Ball	Stainless Steel
O-Ring	NBR/EPDM
Packing Nut	Brass C46400
Stem (1/2" to 2")	Brass C46400
Stem (2-1/2" to 4")	Stainless Steel
Locking Nut	Steel
Seats	PTFE
Handle	Steel
Cap	Brass C46400



Part Number	Size (IN)	Dimensions (IN)					WT (lbs)
		A	B	C	D	E	
EFFC-01-LF	1/2"	0.590	1.138	2.165	1.812	3.346	0.403
EFFC-02-LF	3/4"	0.748	1.382	2.775	2.126	4.291	0.445
EFFC-03-LF	1"	0.984	1.634	3.287	2.283	4.291	1.064
EFFC-04-LF	1-1/4"	1.259	2.067	4.075	2.519	5.630	1.675
EFFC-05-LF	1-1/2"	1.574	2.145	4.724	2.716	5.630	2.350
EFFC-06-LF	2"	1.941	2.598	5.433	3.031	5.630	3.571
EFFC-07-LF	2-1/2"	2.519	3.248	6.417	4.252	8.110	6.725
EFFC-08-LF	3"	2.875	3.563	7.124	4.646	8.504	9.083
EFFC-09-LF	4"	3.819	5.118	9.565	5.709	9.646	20.17