

LEAD FREE FULL PORT BALL VALVE

Series: **EFFN-LF** Rev 11/13/2019

Job Name	
Engineer	
Contractor	
PO Number	
Distributor	

Features

- 2 piece forged brass construction
- Dual PTFE Seats & EPDM O-Rings
- Blow-out proof Triple Seal Stem
- Rust resistant handle
- Chrome plated Brass Ball (1/4" & 3/8")
- Stainless Steel Ball (1/2" to 4")
- Stainless Steel Stem (2-1/2" to 4")
- 5 Year Warranty
- Resists Stress Corrosion & De-Zincification

Performance Rating

- 1/4" to 2" rated 600 W.O.G.
- 2-1/2" to 4" rated 400 W.O.G.

Approvals

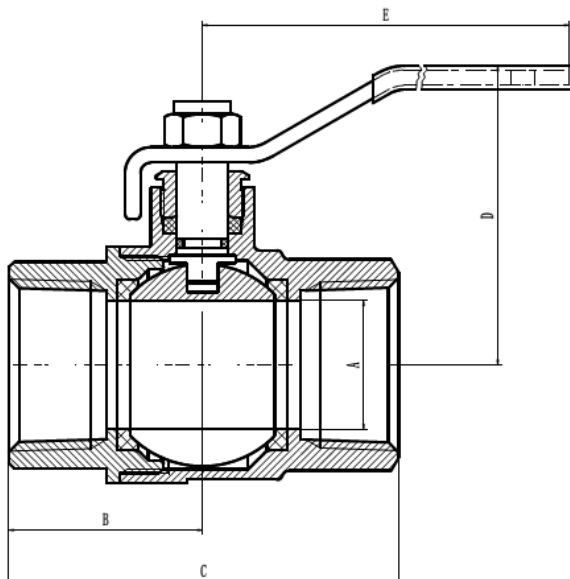
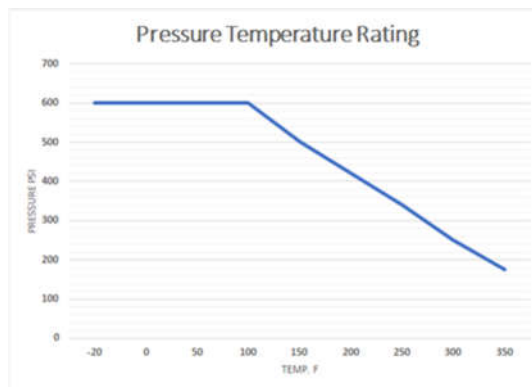
- FM Class 1140 Certified 1/4" to 2"
- NSF/ANSI 61-2017 & 372-2016 Certified
- CRN Registered
- CSA Approved ASME A112.4.14-17/CSA B125.14-17
- Approved for 1/2, 2 5, 125, 175 psig Gas Service
- Conforms to MSS SP-110

Models

- EFFN-LF – NPT x NPT

Standard Materials List

Part	Material
Body	Brass C46400
Sealing Washer	PTFE
Ball (up to 3/8")	Chrome Plated Brass
Ball (1/2" and up)	Stainless Steel
O-Ring	NBR/EPDM
Packing Nut	Brass C46400
Stem (up to 2")	Brass C46400
Stem (2-1/2" and up)	Stainless Steel
Locking Nut	Steel
Seats	PTFE
Handle	Steel
Cap	Brass C46400



Part Number	Size (IN)	Dimensions (IN)					WT (lbs)
		A	B	C	D	E	
EFFN-01-LF	1/4"	0.394	0.866	1.673	1.693	2.165	0.295
EFFN-02-LF	3/8"	0.394	0.866	1.712	1.693	2.165	0.302
EFFN-03-LF	1/2"	0.590	1.079	2.125	1.812	3.346	0.452
EFFN-04-LF	3/4"	0.748	1.165	2.362	2.126	4.291	0.738
EFFN-05-LF	1"	0.984	1.378	2.775	2.283	4.291	1.135
EFFN-06-LF	1-1/4"	1.259	1.653	3.287	2.519	5.630	1.785
EFFN-07-LF	1-1/2"	1.574	1.850	3.698	2.716	5.630	2.306
EFFN-08-LF	2"	1.941	2.066	4.132	3.031	5.630	3.562
EFFN-09-LF	2-1/2"	2.519	2.795	5.374	4.252	8.110	7.220
EFFN-10-LF	3"	2.875	2.913	5.944	4.646	8.504	9.775
EFFN-11-LF	4"	3.819	3.897	7.263	5.709	9.646	19.07