



LEAD FREE F1960 PEX BALL VALVE

Series: **EFFNU-LF** Rev 11/29/2018

Job Name	
Engineer	
Contractor	
PO Number	
Distributor	

Features

- 2 piece forged brass construction
- Dual PTFE Seats & EPDM O-Rings
- Blow-out proof Triple Seal Stem
- Rust resistant handle
- Stainless Steel Ball
- 5 Year Warranty
- Resists Stress Corrosion & De-Zincification

Performance Rating

- 400 W.O.G.

Approvals

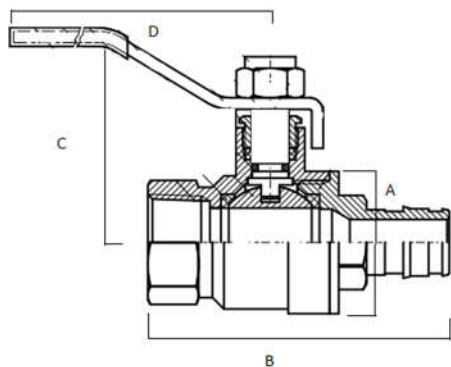
- NSF/ANSI 61 & 372 Certified
- CSA Approved ASME A112.4.14/CSA B125.14
- ASTM F1960

Models

- EFFNU – ASTM F1960 PEX x NPT

Standard Materials List

Part	Material
Body	Brass C46400
Sealing Washer	PTFE
Ball	Stainless Steel
O-Ring	NBR/EPDM
Packing Nut	Brass C46400
Stem	Brass C46400
Locking Nut	Steel
Seats	PTFE
Handle	Steel
Cap	Brass C46400



Part Number	Size (IN)	Dimensions (IN)				
		A	B	C	D	Port
EFFNU-01-LF	1/2"	1.220	2.854	1.812	3.346	0.590
EFFNU-02-LF	3/4"	1.457	3.366	2.126	4.291	0.748
EFFNU-03-LF	1"	1.831	4.075	2.283	4.291	0.984