

# LEAD F1807 PEX PORT BALL VALVE WITH DRAIN

Series: **EFFPPD-LF** Rev 11/29/2018

Job Name	
Engineer	
Contractor	
PO Number	
Distributor	

## Features

- 2 piece forged brass construction
- Dual PTFE Seats & EPDM O-Rings
- Blow-out proof Triple Seal Stem
- Rust resistant handle
- Chrome plated Brass Ball (1/2")
- Stainless Steel Ball (3/4" and up)
- 5 Year Warranty
- Resists Stress Corrosion & De-Zincification

## Performance Rating

- Rated 400 W.O.G.

## Approvals

- NSF/ANSI 61-2017 & 372-2016 Certified
- CSA Approved ASME A112.4.14-17/CSA B125.14-17
- ASTM F1807

## Models

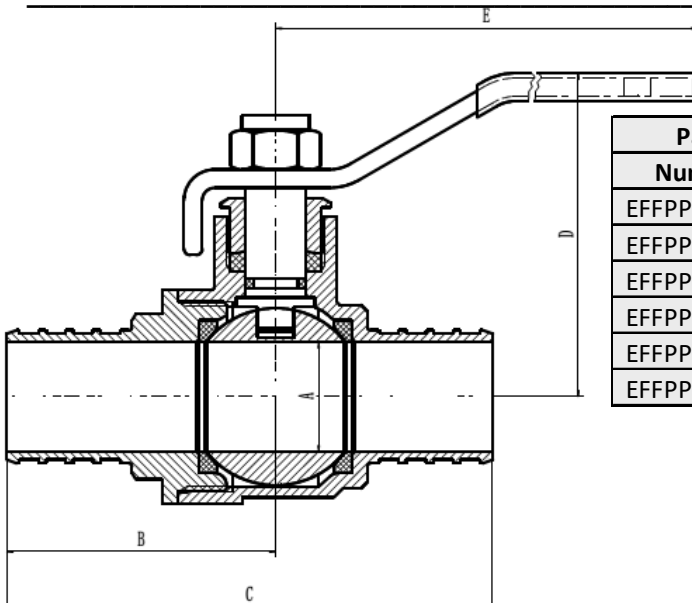
- EFFPPD – PEX x PEX w/ DRAIN

## Standard Materials List

Part	Material
Body	Brass C46400
Sealing Washer	PTFE
Ball (1/2")	Chrome Plated Brass
Ball (3/4" and up)	Stainless Steel
O-Ring	NBR/EPDM
Packing Nut	Brass C46400
Stem	Brass C46400
Locking Nut	Steel
Seats	PTFE
Handle	Steel
Cap	Brass C46400



Certified to  
NSF/ANSI 61 & 372



Part Number	Size (IN)	Dimensions (IN)				
		A	B	C	D	E
EFFPPD-01-LF	1/2"	0.350	1.378	2.440	1.653	2.165
EFFPPD-02-LF	3/4"	0.531	1.409	2.539	1.771	3.346
EFFPPD-03-LF	1"	0.712	1.717	3.169	2.125	4.291
EFFPPD-04-LF	1-1/4"	0.874	2.012	3.720	2.205	4.291
EFFPPD-05-LF	1-1/2"	1.260	2.500	4.673	2.557	5.630
EFFPPD-06-LF	2"	1.575	3.049	5.768	2.754	5.630

## Drain Port

