

LEAD FREE FIP SIDE PORT BALL VALVE

Series: EFFPV-4x-LF

Job Name	
Engineer	
Contractor	
PO Number	
Distributor	

Features

- 2 Piece forged brass construction
- Dual PTFE Seats & EPDM O-Rings
- Blow-out proof Triple Seal Stem
- Rust resistant handle
- Stainless Steel Ball
- 5 Year Warranty
- Resists Stress Corrosion & De-Zincification

Performance Rating

- 400 W.O.G.

Approvals

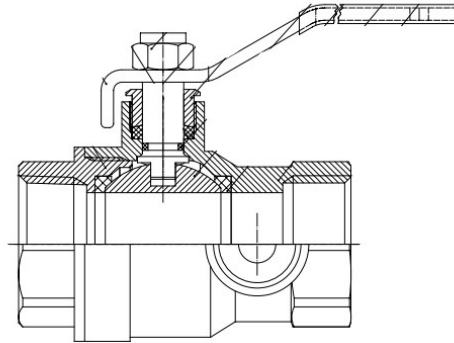
- CSA Approved ASME A112.4.14-17/CSA B125.14-17
- NSF/ANSI 61 & 372 Certified

Models

- FIP x FIP w/ 1/2" FPT Side Port - 3/4" to 2"

Standard Materials List

Part	Material
Body	Brass C46400
Sealing Washer	PTFE
Ball	Stainless Steel
O-Ring	NBR/EPDM
Packing Nut	Brass C46400
Stem	Brass C46400
Locking Nut	Steel
Seats	PTFE
Handle	Steel
Cap	Brass C46400



Part #	Description
EFFPV-41-LF	3/4" FIP X 3/4" FIP Full Port LF Brass Ball Valve w/ 1/2" FIP Side Port
EFFPV-42-LF	1" FIP X 1" FIP Full Port LF Brass Ball Valve w/ 1/2" FIP Side Port
EFFPV-43-LF	1-1/4" FIP x 1-1/4" FIP Full Port LF Brass Ball Valve w/ 1/2" FIP Side Port
EFFPV-44-LF	1-1/2" FIP x 1-1/2" FIP Full Port LF Brass Ball Valve w/ 1/2" FIP Side Port
EFFPV-45-LF	2" FIP x 2" FIP Full Port LF Brass Ball Valve w/ 1/2" FIP Side Port