

LEAD FREE MINI BALANCING VALVE

Series: **EFF124 & EFF224** Rev 11/29/2018

Job Name	
Engineer	
Contractor	
PO Number	
Distributor	

Features

- 2 piece forged brass construction
- Teflon PTFE Seats
- Double Stem O-Ring
- Chrome plated Brass Ball
- ¼ Turn Operation
- Available in PEX F1807 & F1960 Connections
- 10 Year Warranty
- Adjustment screw restricts flow by approximately 10% per full turn

Approvals

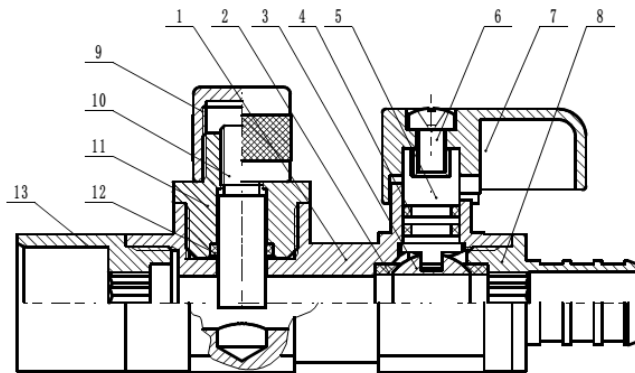
- NSF/ANSI 61-2017 & 372-2016 Certified
- ASME A112.18.1-18/ CSA B125.1-18
- ASTM F1807 & ASTM F1960

Standard Materials

#	Part	Material
1	Body	Brass C46400
2	Sealing Washer	PTFE
3	Ball	Chrome Plated Brass
4	O-Ring	NBR/EPDM
5	Stem	Brass C46400
6	Screw	Steel
7	Handle	Aluminium
8	Connection End	Brass C46400
9	Adjustment Cover	Brass C46400
10	Adjustment Screw	Brass C46400
11	Adjustment Cap	Brass C46400
12	Adjustment O-Ring	NBR/EPDM
13	Connection End (2)	Brass C46400



EFF124-03-LF



MODELS	
EFF124-01-LF	1/2" Sweat x 1/2" Sweat Lead Free Balancing Mini Ball Valve
EFF124-02-LF	3/8" OD Comp x 3/8" OD Comp Lead Free Balancing Mini Ball Valve
EFF124-03-LF	1/2" PEX x 1/2" PEX Lead Free Balancing Mini Ball Valve
EFF124-04-LF	1/2" PEX x 1/2" Copper Sweat Lead Free Balancing Mini Ball Valve
EFF224-03-LF	1/2" F1960 x 1/2" F1960 Lead Free Balancing Mini Ball Valve
EFF224-04-LF	1/2" F1960 x 1/2" Copper Sweat Lead Free Balancing Mini Ball Valve

10 Brodie Drive, Unit #1 Richmond Hill, Ontario, Canada

Tel: 905-883-6869 Fax: 905-883-6879

www.eff-fitting.com