



EASTERN

Foundry & Fittings

"Manufacturing Excellence."

WATER HAMMER ARRESTERS

AA Series

Job Name	
Engineer	
Contractor	
PO Number	
Distributor	

Features

- Approved for installation with no access panels
- Dual EPDM O-Rings
- Maintenance Free
- To be installed on cold or hot water lines
- Install within 6 feet of shock point
- Constructed from Lead Free Brass

Standard Materials List

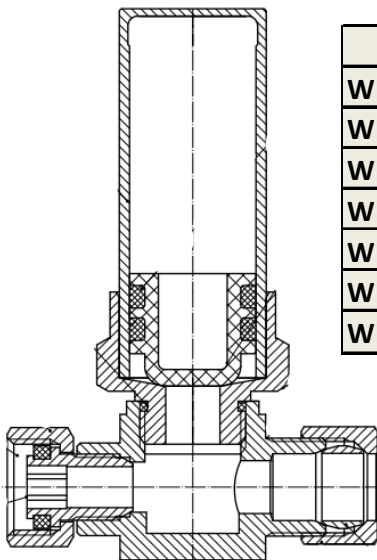
Part	Material
Arrestor Body	Brass C46400
Piston	Brass C46400
O-Rings	EPDM
Tee	Brass C46400

Temperature & Pressure Limits

- Max Working Pressure – 250psi
- Max Working Temperature – 33F to 200F

Approvals

- Certified to ASSE 1010-2004



WHAT-03

Part #	Description
WHA-AA02	Water Hammer Arrestor - 1/2" Dual MIP/Sweat
WHAT-01	1/4" OD Comp x 1/4" OD Comp Tee w/ Water Hammer Arrestor
WHAT-02	1/4" OD Comp x 3/8" Comp Swivel Tee w/ Water Hammer Arrestor
WHAT-03	3/8" Comp Swivel x 3/8" OD Comp Tee w/ Water Hammer Arrestor
WHAT-04	1/2" PEX x 1/2" PEX Tee w/ Water Hammer Arrestor
WHAT-05	1/2" F1960 x 1/2" F1960 Tee w/ Water Hammer Arrestor
WHAT-06	1/2" Sweat x 1/2" Sweat Tee w/ Water Hammer Arrestor